

# CUSTOM

We are able to satisfy the special needs of our customers and manufacture anodes that will meet their unique requirements.

With our extensive inventory of water-cooled molds, we can make anodes of almost any shape and size required.

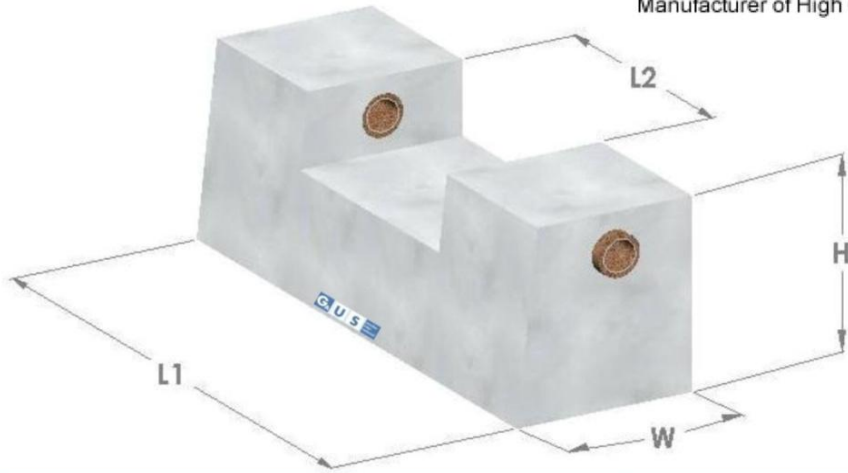
Just send us a detailed drawing spec and/or chemical composition requirements, and we will provide a quote.

- Weight based on Aluminum alloy; also available in Zinc or Magnesium alloys.
- When ordering, please specify metal and chemical composition.



# CLAMP



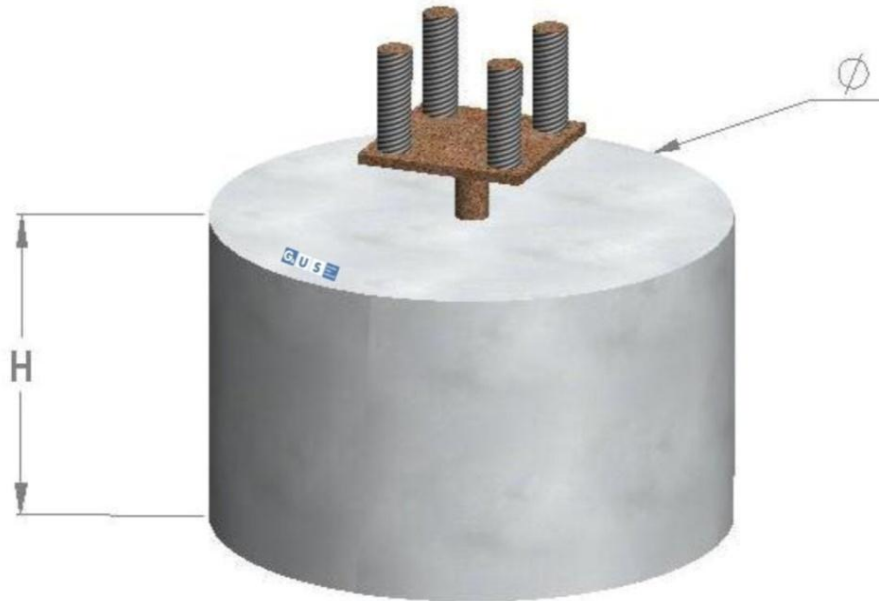


## CLAMP

NAME	L1 (in)	L2 (in)	W (in)	H (in)	NET WEIGHT(lbs)	GROSS WEIGHT(lbs)	CORE TYPE
CL_16	11½	5	4	4½	16	16	¾" SCH. 80

# MAT



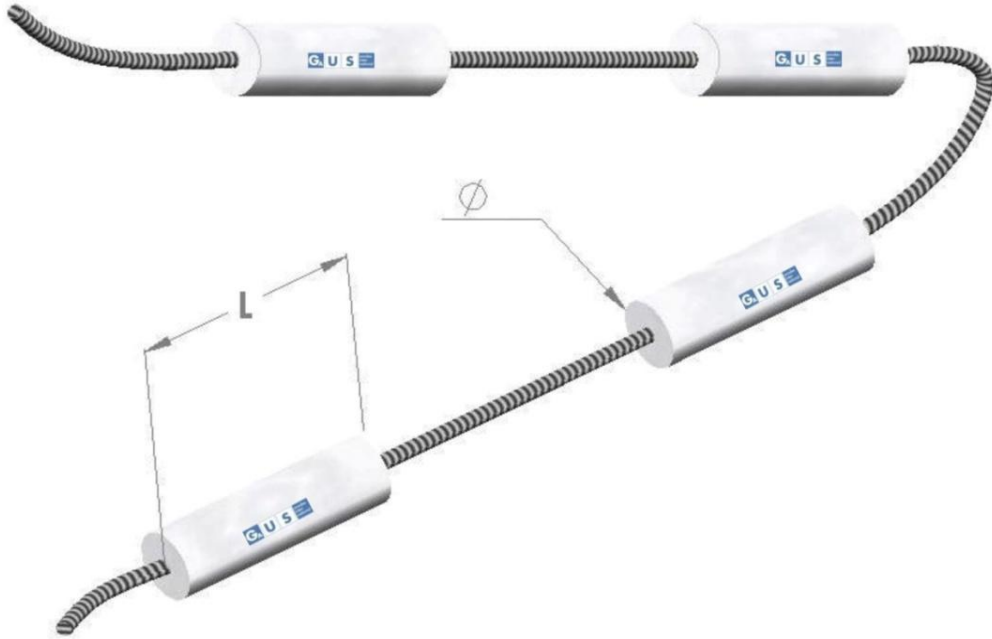


**MAT**

NAME	L (in)	∅ (in)	NET WEIGHT(lbs)	GROSS WEIGHT(lbs)
SM_17	4½	7¾	17	18

# LINK





**LINK ( 1 unit )**

NAME	L (in)	∅ (in)	NET WEIGHT(lbs)	GROSS WEIGHT(lbs)	CORE TYPE
RL_45.5	60	4½	45.5	50	¾" STEEL CABLE